

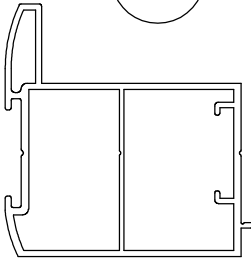
Assembly manual

for Precision Line frameless systems

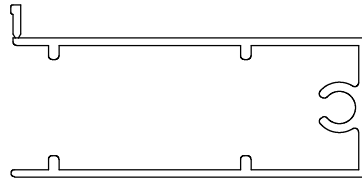


ALVE
components

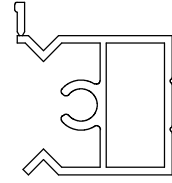
1 2 pcs



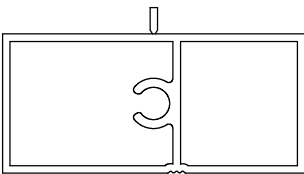
2 1 pc



3 1 pc



4 1 pc



5 2 pcs



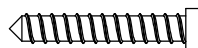
6 2 pcs



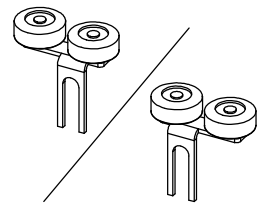
7 2 pcs



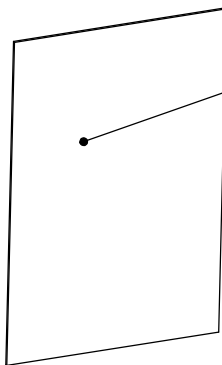
8 6 pcs



9 2 pcs

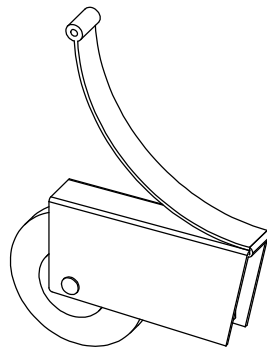


10 2 pcs

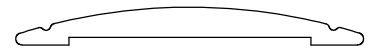


Glass with
back film

11 2 pcs



12 1 pc

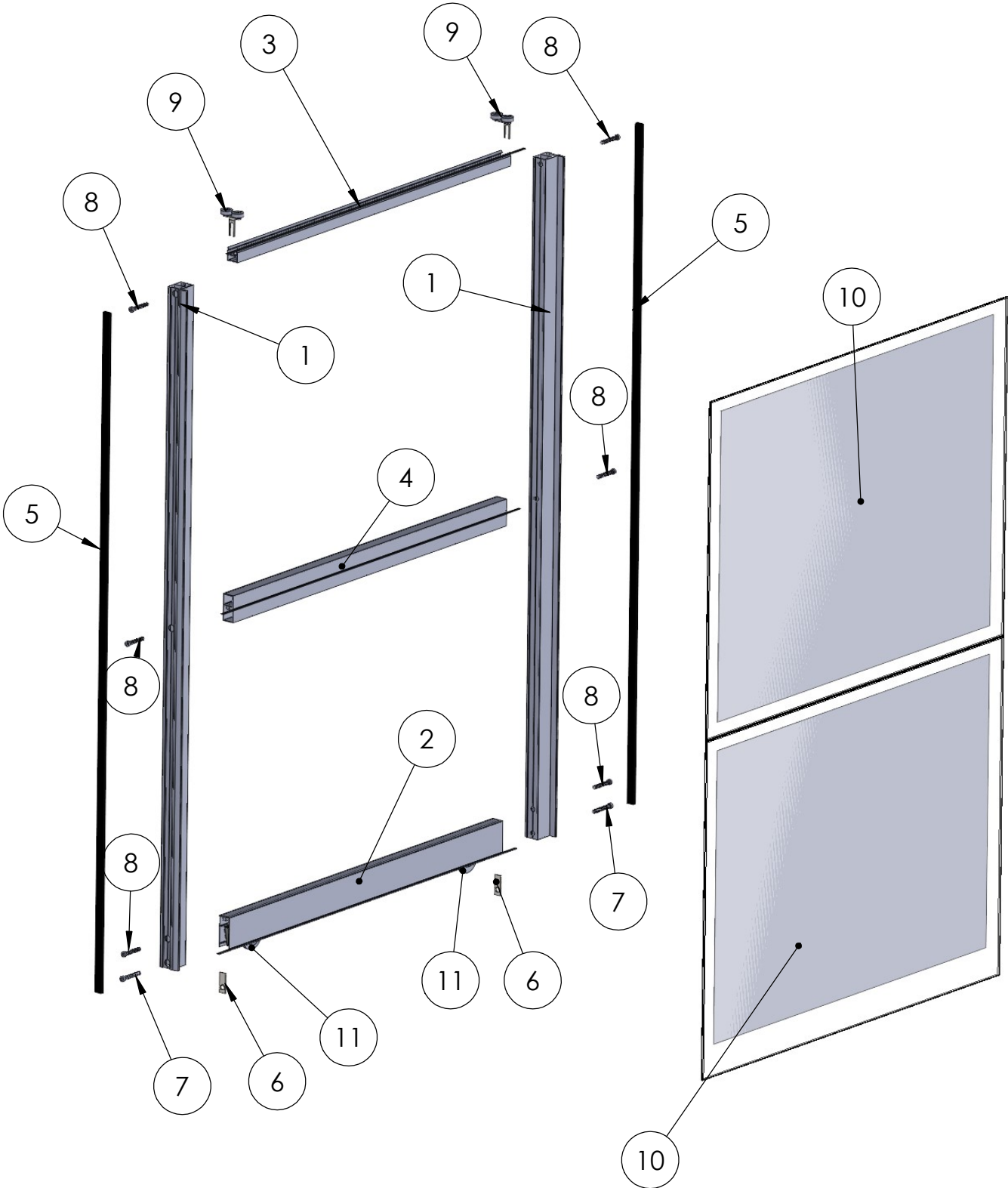


Assembly manual

for Precision Line frameless systems



ALVE
components

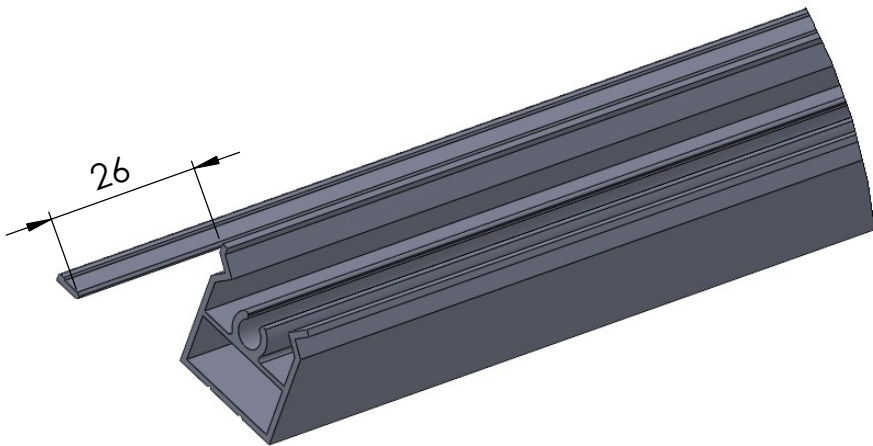


Assembly manual

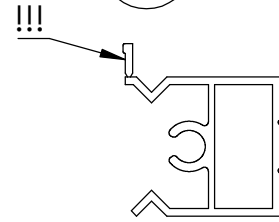
for Precision Line frameless systems



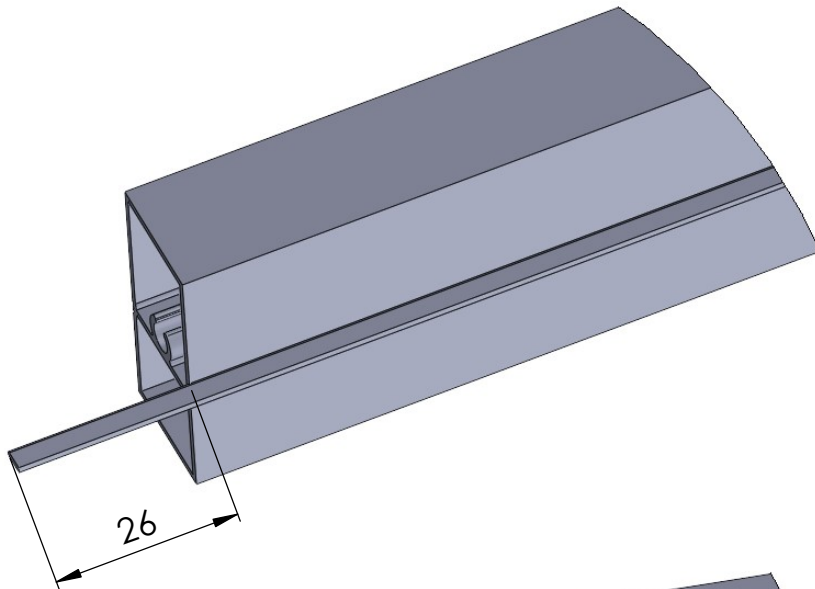
ALVE
components



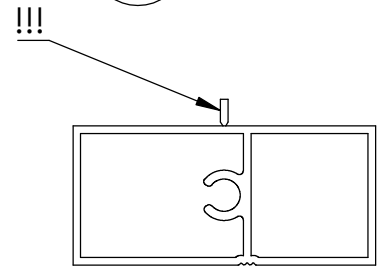
③ 1 pc



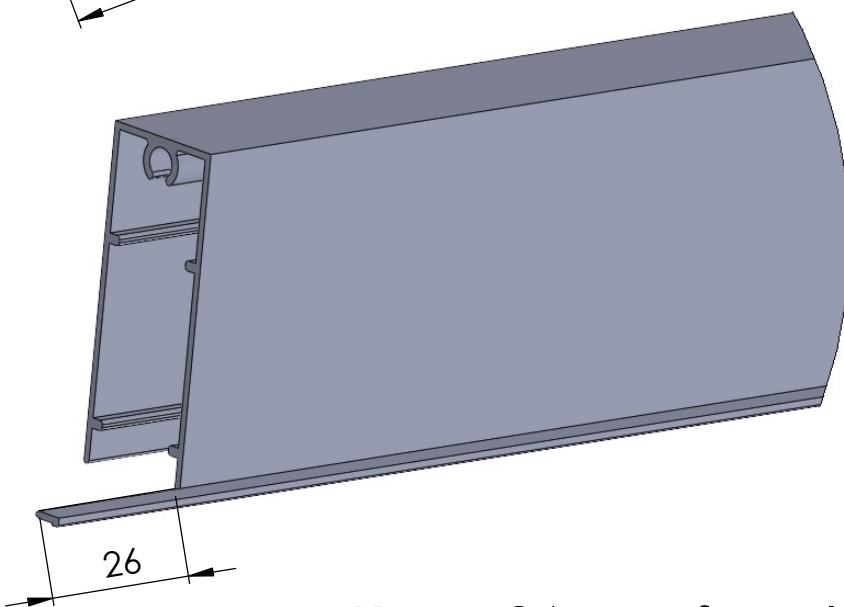
Top rail



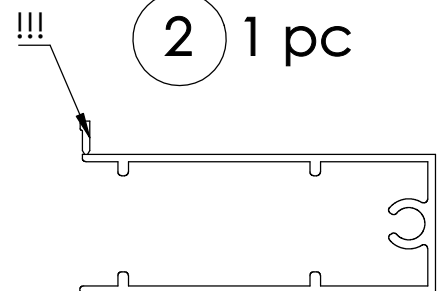
④ 1 pc



Splitter



② 1 pc



Bottom rail

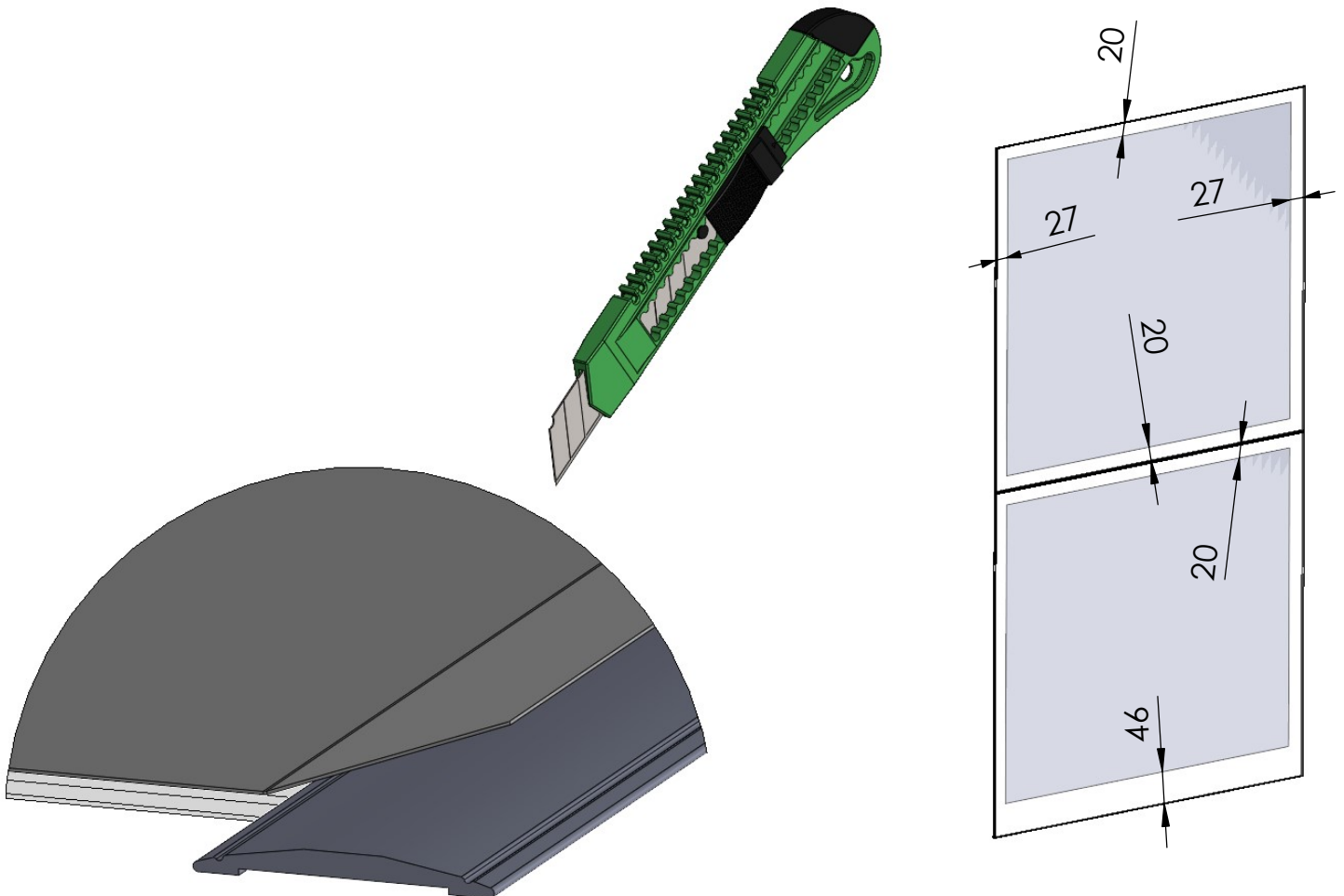
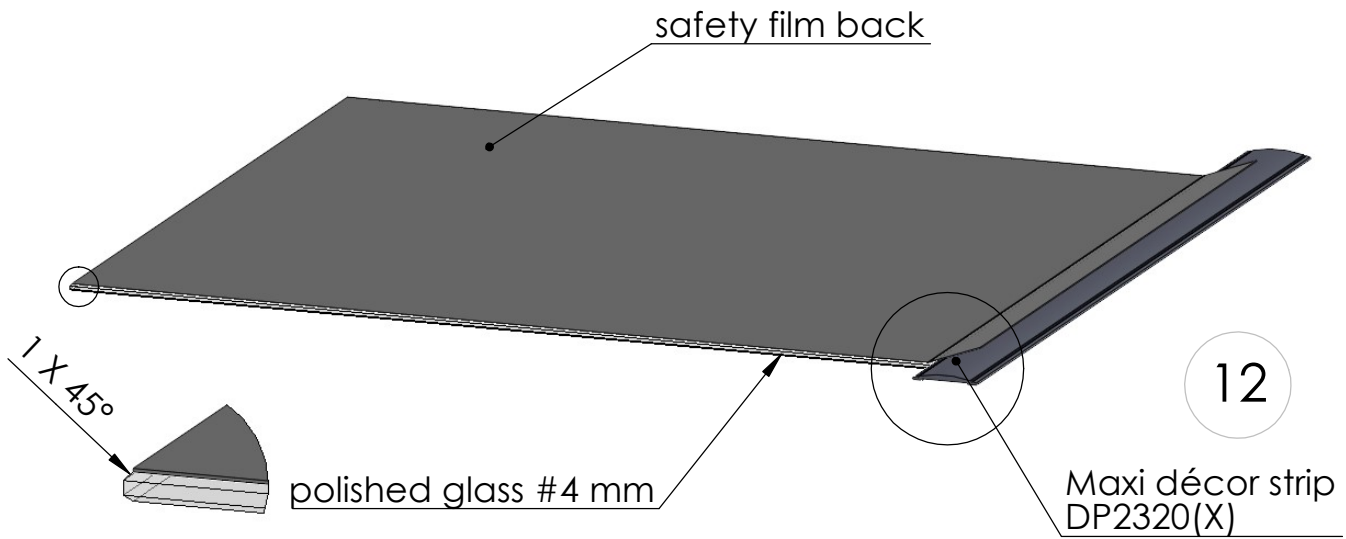
Keep 26 mm from both sides !!!

Assembly manual

for Precision Line frameless systems



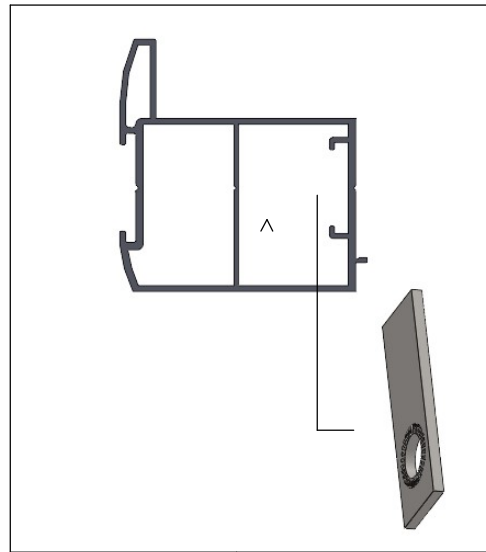
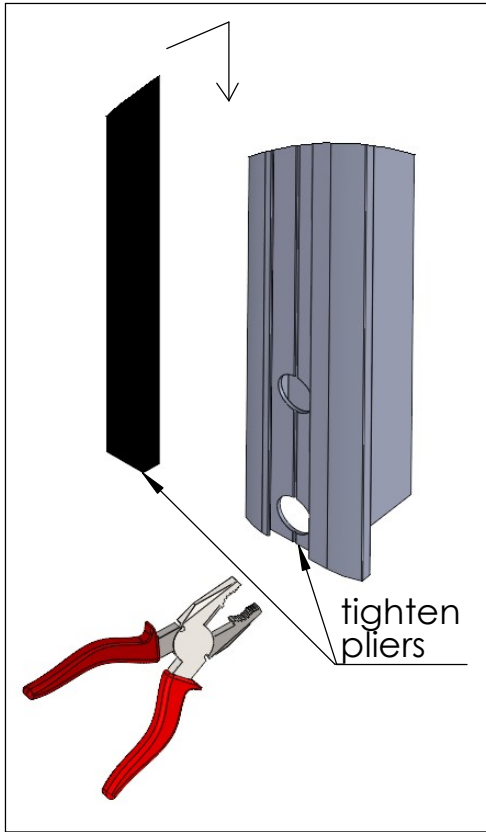
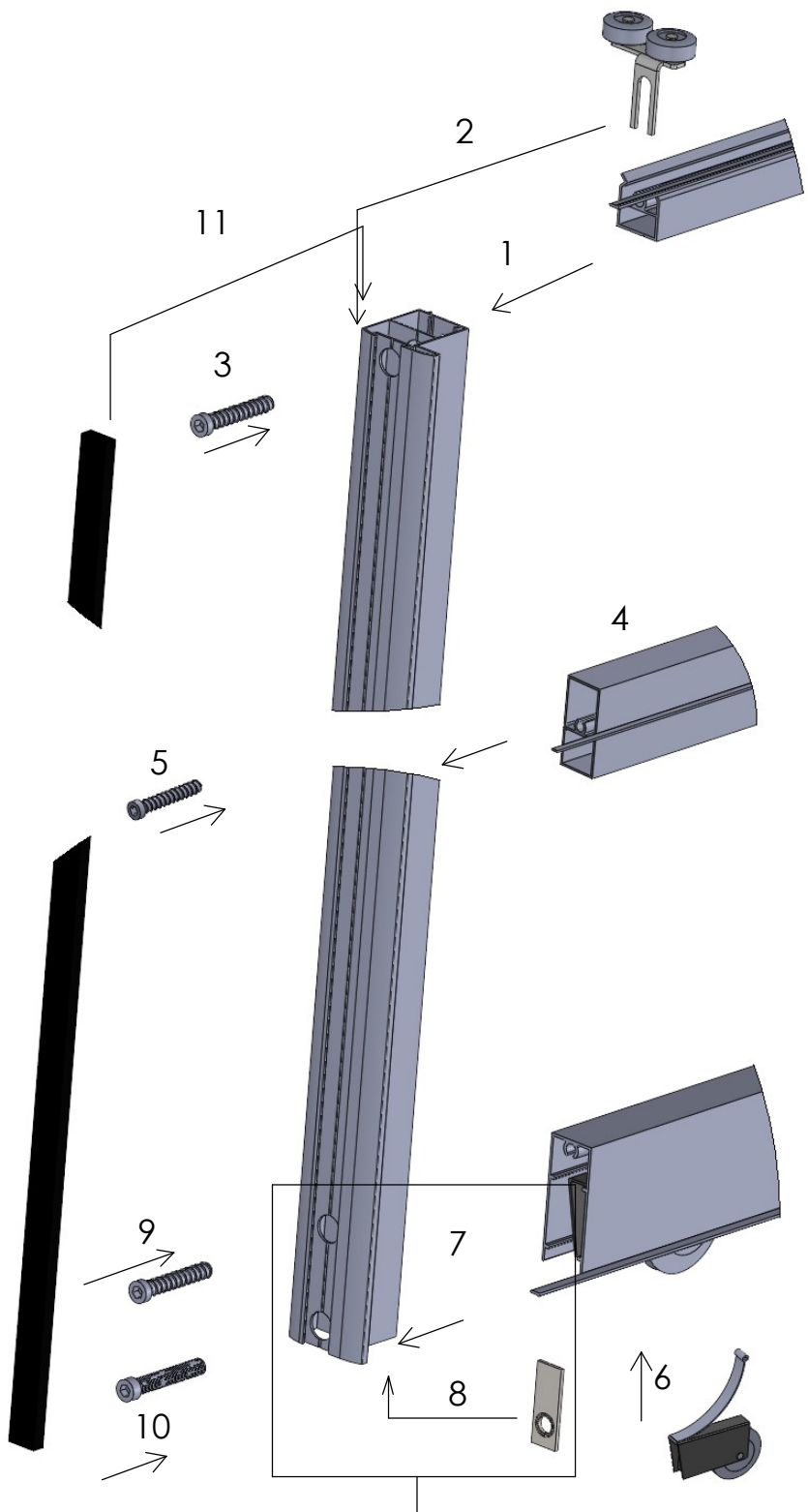
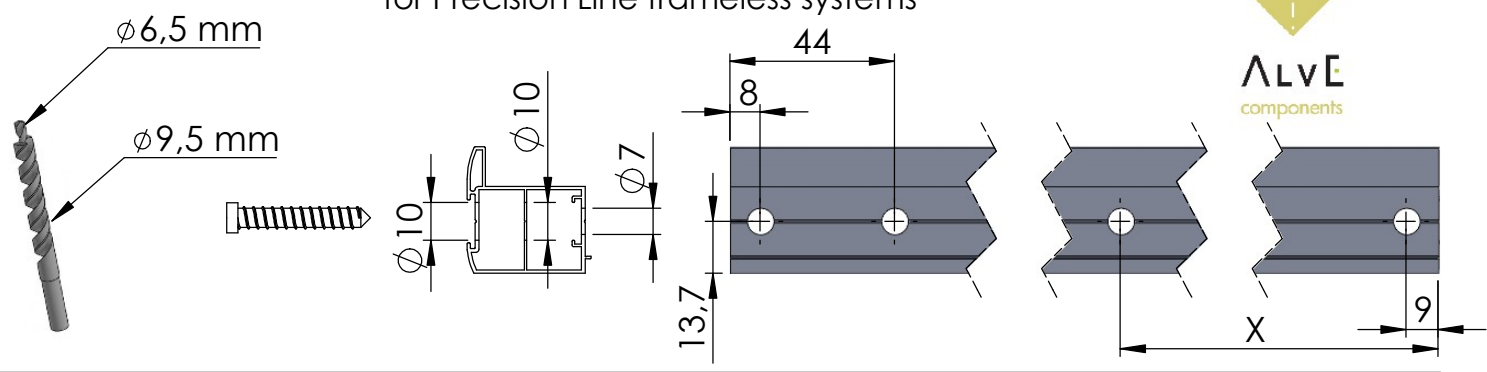
ALVE
components



1. Peel off safety back film,
2. Put DP2320(X) Profile
3. Cut off surplus of safety back film by knife
4. Stick safety back film
5. Stick to clean glass double sided tape and stick glass to assembled frame



for Precision Line frameless systems

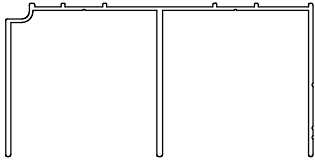


Door leaf installation

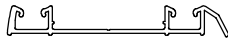
for Precision Line frameless systems



13 1 pc



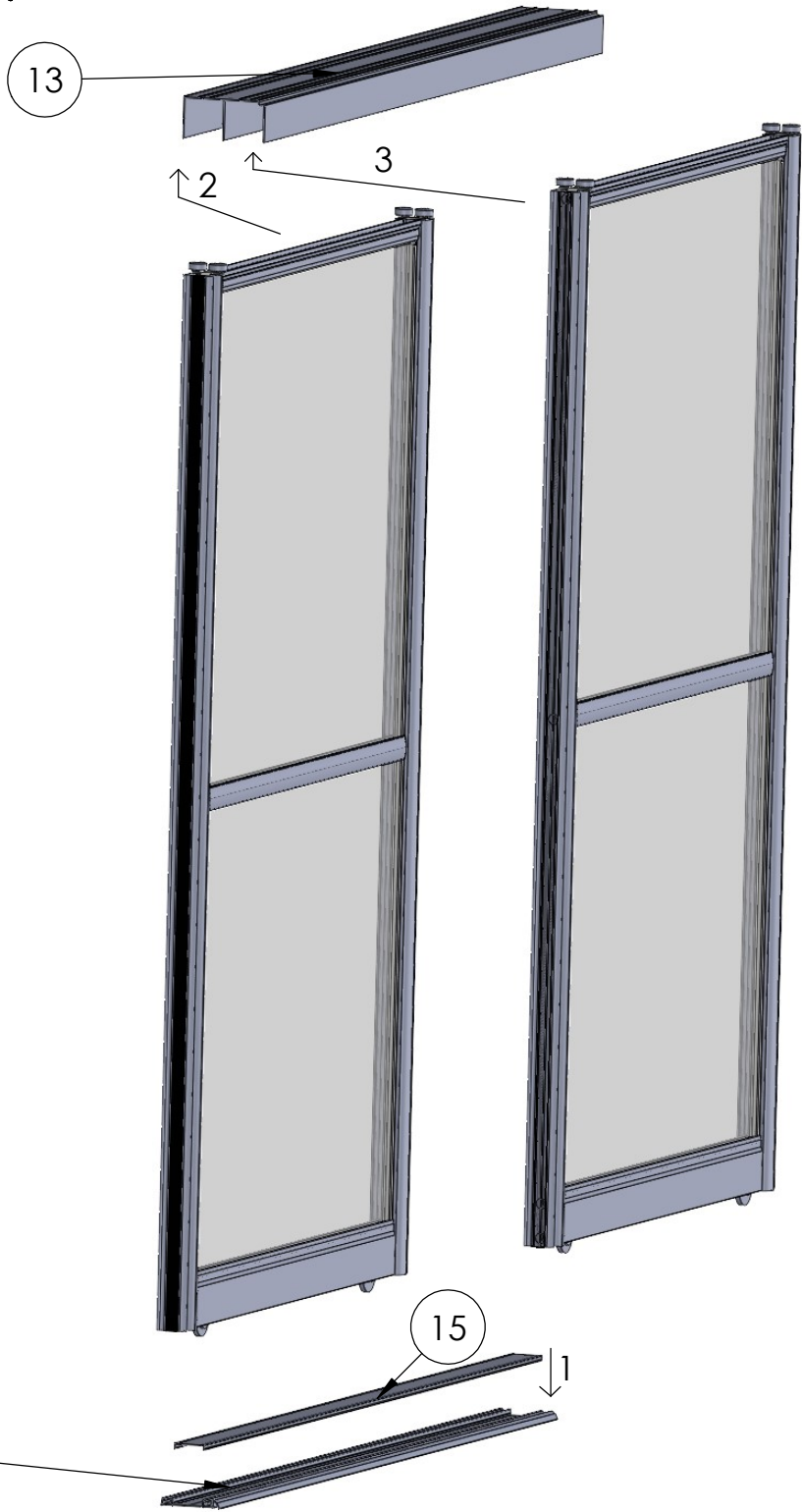
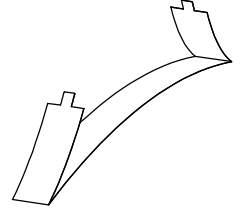
14 1 pc



15 1 pc



16 2 pcs

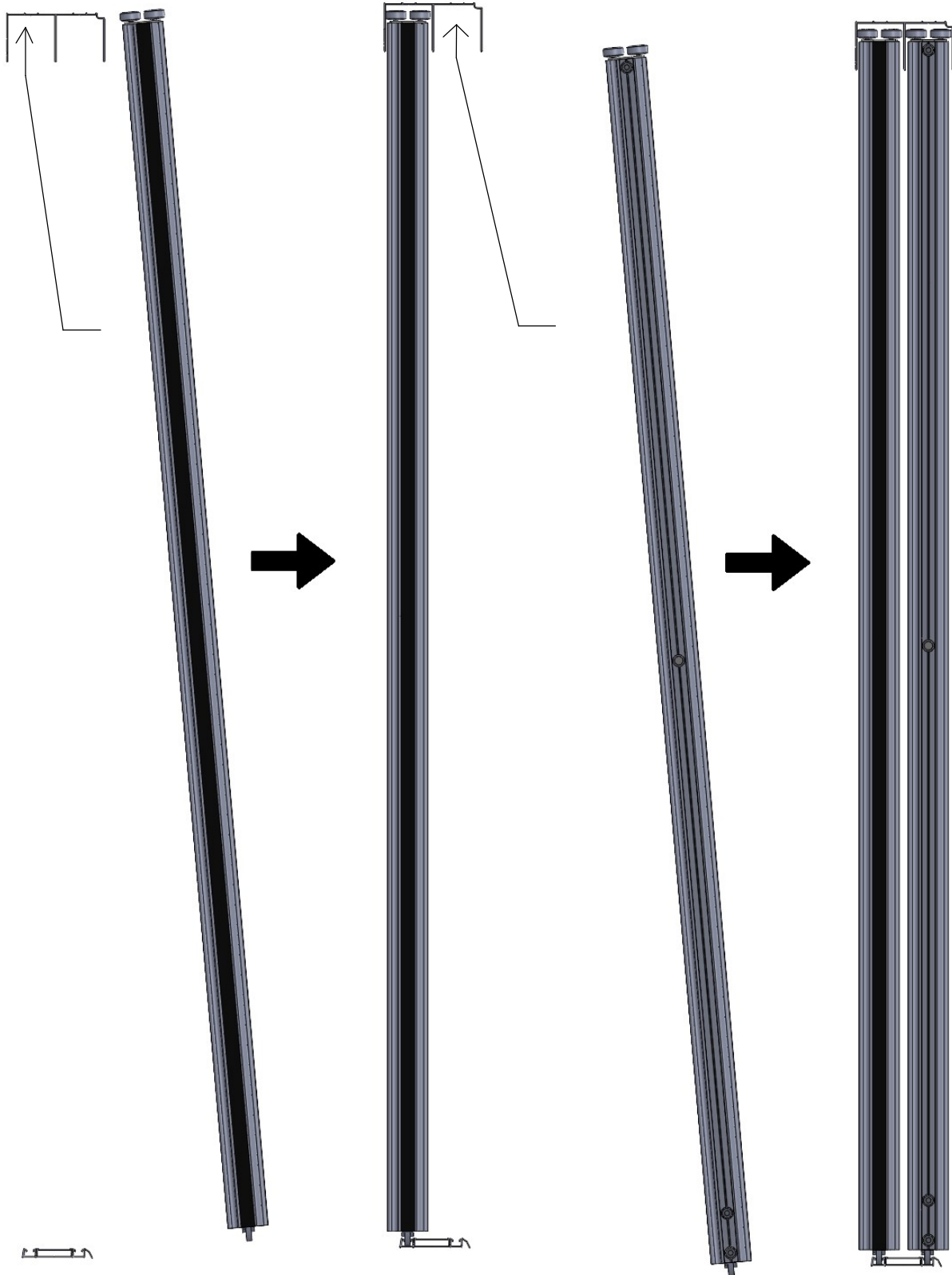


Door leaf installation

for Precision Line frameless systems



ALVE
components

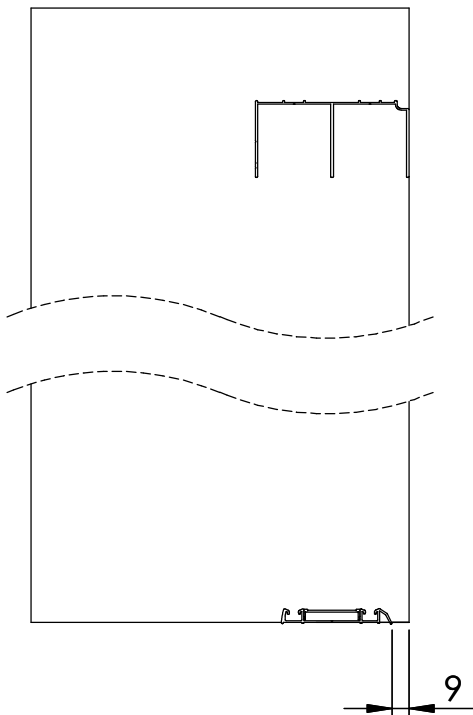
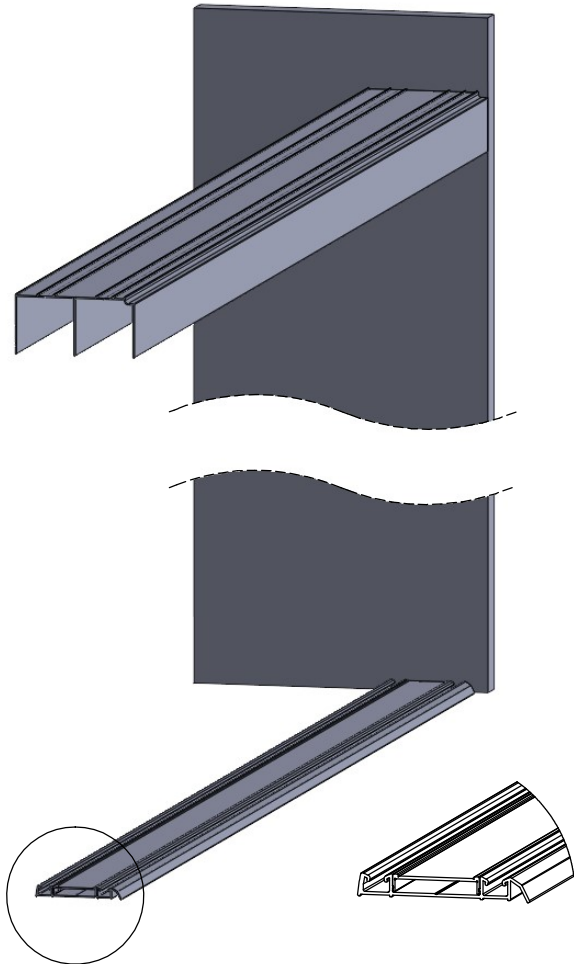


Tracks offset information

for Precision Line frameless systems



v.1



v.2

